

LTC 9384/00



Security Systems

EN | Instruction Manual
Sunshield

BOSCH

1.0 UNPACKING

This equipment should be unpacked and handled with care. If an item appears to have been damaged in shipment, notify the shipper.

Verify that all parts shown in the *Parts List* have been included. If any items are missing, notify your Bosch Security Systems Sales or Customer Service Representative.

The original packing carton is the safest container in which to transport the unit. Save it for possible future use.

1.1 Parts List

Qty	Item
	Unit (verify model number)
1	Sunshield
1	This installation manual

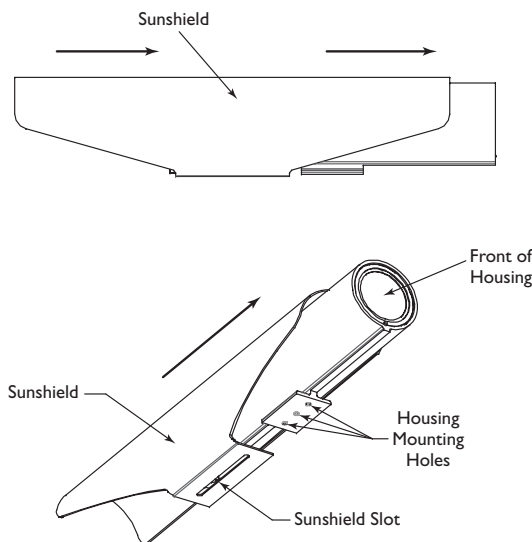


Figure 1: Assembling the Sunshield

2.0 DESCRIPTION

The LTC 9384/00 sunshield provides protection from the direct rays of the sun and promotes cooling to reduce internal housing temperatures on the LTC 9384 Series Housings and 3-inch pressurized housings.

3.0 INSTALLATION

3.1 Installing Sunshield

1. Slide the sunshield onto the housing from the rear or the front of the housing (see *FIGURE 1*).
2. Position the slot in the sunshield over the housing mounting holes. (see *FIGURE 2*).
3. Secure the sunshield by passing the housing mounting screws (not provided) through the sunshield slot and tightening them.
4. The sunshield can be adjusted forward and back for more or less overhang.

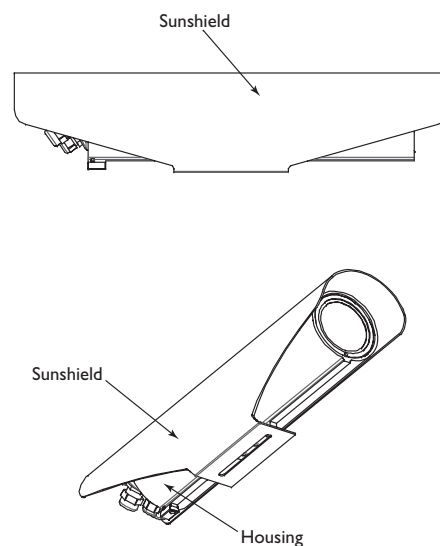


Figure 2: Assembled Sunshield

Americas
 Bosch Security Systems
 130 Perinton Parkway
 Fairport, New York, 14450, USA
 Phone: +1 (585) 223 4060
 Fax: +1 (585) 223 9180
 E-mail:
 security.sales@us.bosch.com
 www.boschsecurity.us

Europe, Middle East, Africa
 Bosch Security Systems B.V.
 P.O. Box 80002
 5600 JB Eindhoven, The Netherlands
 E-mail: ema.securitysystems@bosch.com
 http://www.boschsecurity.com

Asia-Pacific
 Bosch Security Systems Pte Ltd
 38C Jalan Pemimpin
 Singapore 577180, Singapore
 Phone: +65 319 3488
 Fax: +65 319 3499
 E-mail:
 sg.securitysystems@bosch.com
 http://www.boschsecurity.com